

Cal. PC39A

ϕ 23.70 mm

H 4.15 mm

| Item | Version No. |
|-------------------|-------------|
| Specification | Version 3 |
| Appearance | Version 6 |
| Casing | Version 5 |
| Hand Fitting | Version 4 |
| Hand Setting Stem | Version 5 |
| Dial - 1 | Version 3 |
| Dial - 2 | Version 3 |
| Casing Ring - 1 | Version 4 |
| Casing Ring - 2 | Version 4 |
| Assembly Plan | Version 4 |
| Hands | Version 4 |



MOVEMENT SPECIFICATIONS

CAL.PC39A 10 1/2 Ligne Quartz Movement Three Hands with Sun & Moon disc

1. MOVEMENT DIMENSIONS

- Outside diameter ϕ 22.60mm (12H~6H) x 22.00mm (3H~9H), ϕ 23.70mm
- Casing diameter ϕ 17.80mm (12H~6H) x 15.30mm (3H~9H), ϕ 18.10mm
- Height 4.15 mm (including the battery)

2. TIME STANDARD

- Type of quartz oscillator Tuning fork
- Frequency of quartz oscillator 32,768 H Z
- Accuracy Monthly rate: Less than 30 seconds per month at normal temperature range
- Regulation device Nil
- Regulation hands unbalance
 - Second : Less than 0.07 μ N·m (7mg·mm)
 - Minute : Less than 0.30 μ N·m (30mg·mm)
 - Hour : Less than 0.30 μ N·m (30mg·mm)

3. BATTERY

- Type Silver oxide battery
- Size ϕ 6.8 x t 2.6 (mm)
- Battery life Approx. 3 years
- Recommended battery SR626SW (SEIZAIKEN)

4. STEPPING MOTOR

- Type Two pole stepping motor
- Step 180° every second

5. JEWEL

0 jewel

6. ANTIMAGNETISM

(direct current magnetic field)

\geq 1600 A / m

7. SHOCK RESISTANCE

On equal level with general quartz movement

8. OPERATING TEMPERATURE RANGE

From - 5°C to + 50°C

9. SETTING MECHANISM

- Crown at normal position Free
- Crown pulled out to 1st click Time setting, second setting and reset switch

10. TEST OF ACCURACY

- Equipment to be used Quartz Tester QT - 99
Greiner Quartz Timer - C
Witschi Q-Tester 4000
- Duration of measurement 10 seconds
- Microphone to be used Electromagnetic detection type (DM-1)

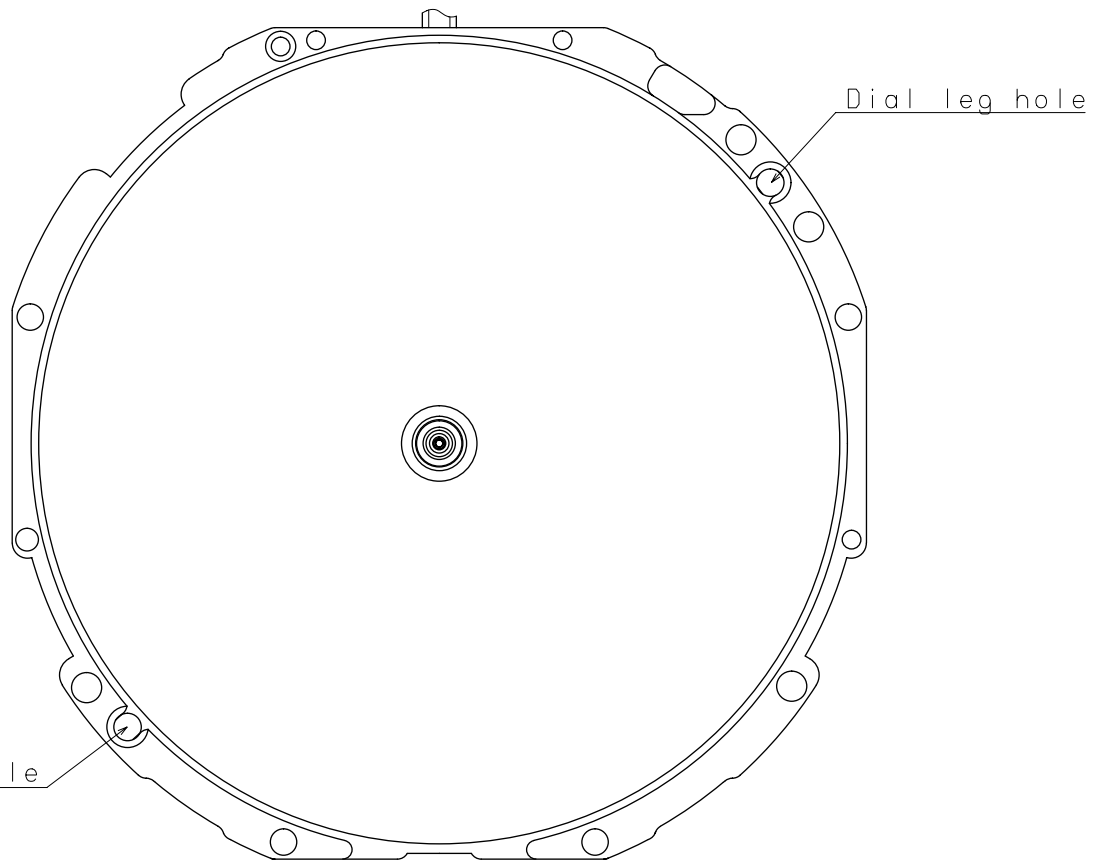
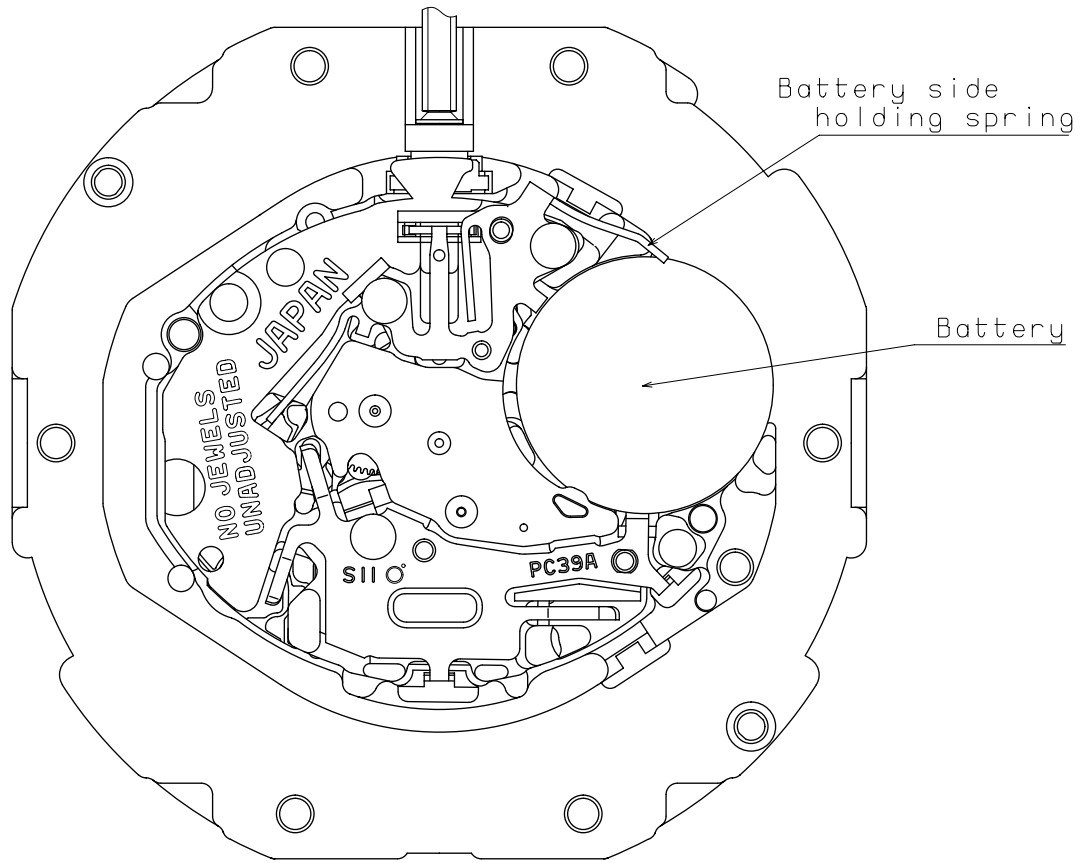
11. ATTACHED PARTS

| Parts Name | Parts Code |
|----------------------|-------------|
| Silver oxide battery | 3016 - 18G0 |
| Hand setting stem | 0354 - 1940 |

*** All specifications are subject to change without notice.**

SII Products

Version: 3



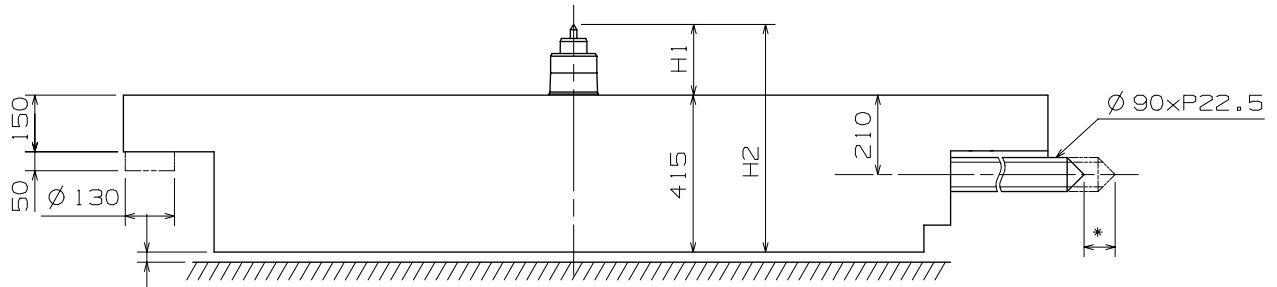
Scale : 5/1

Unit : 1=1/100mm

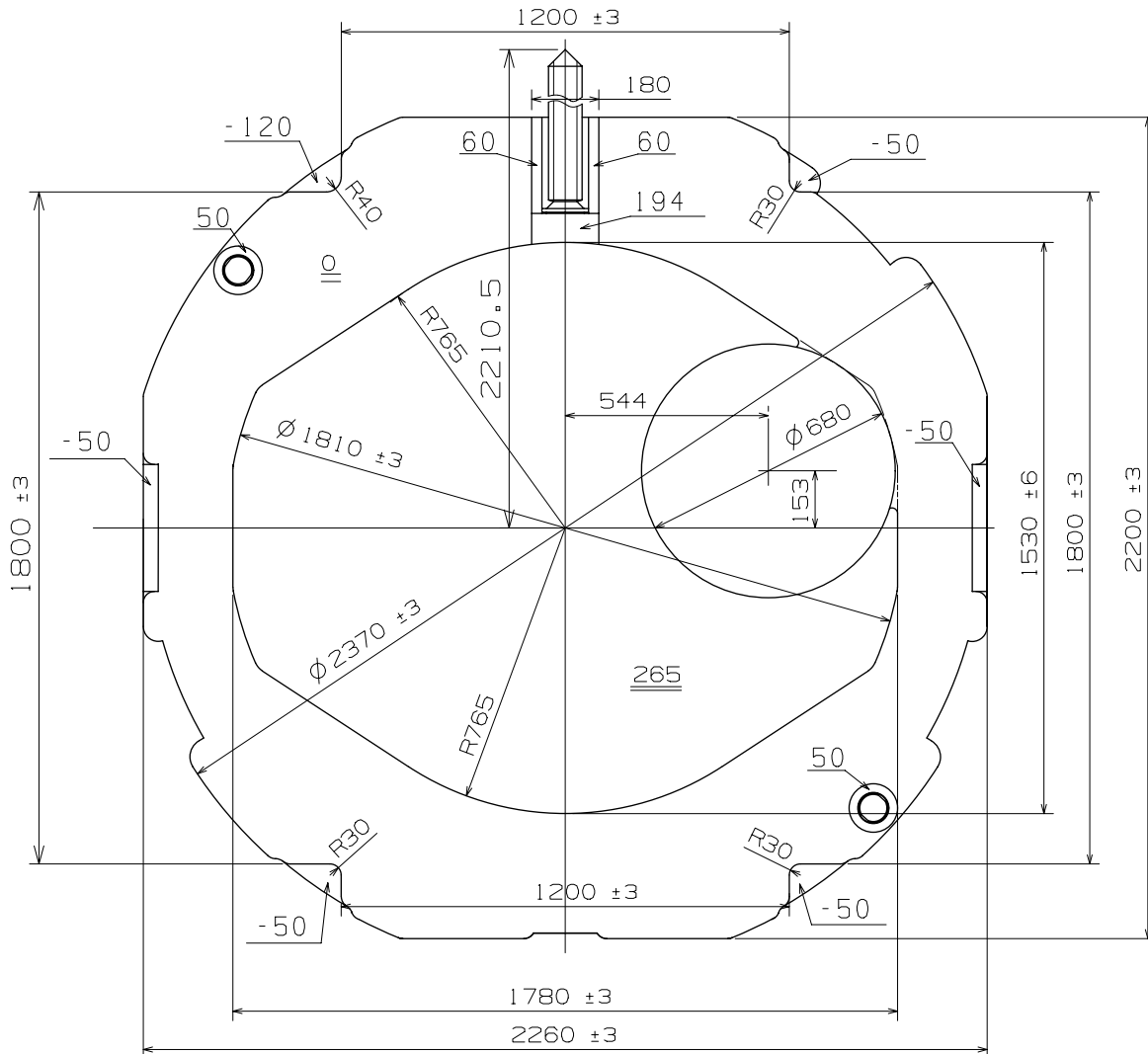
Version:6

Battery Side Holding spring Type

* First pull out stroke 56



| Center post | | TYPE M |
|--|----|--------|
| Maximum height from Dial support surface | H1 | 185 |
| Total height incl. movement | H2 | 600 |

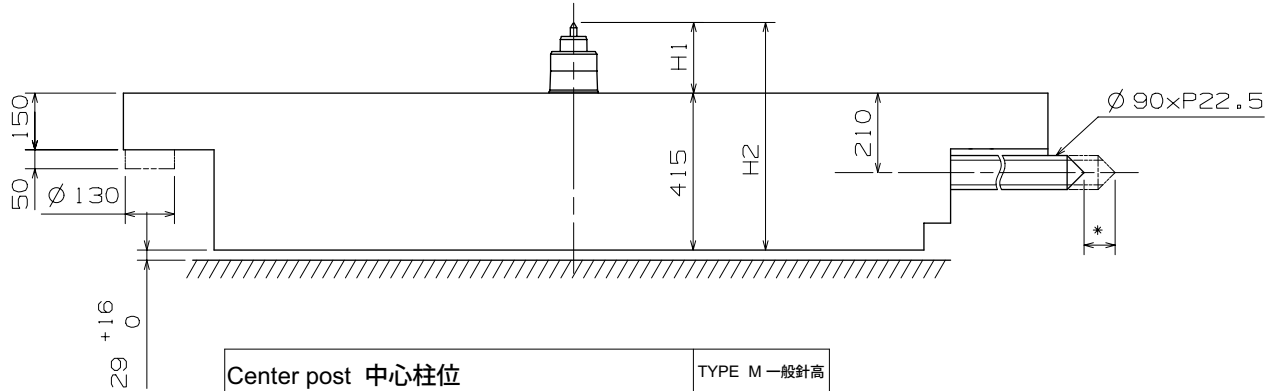


Scale : 5/1
Unit : 1=1/100mm

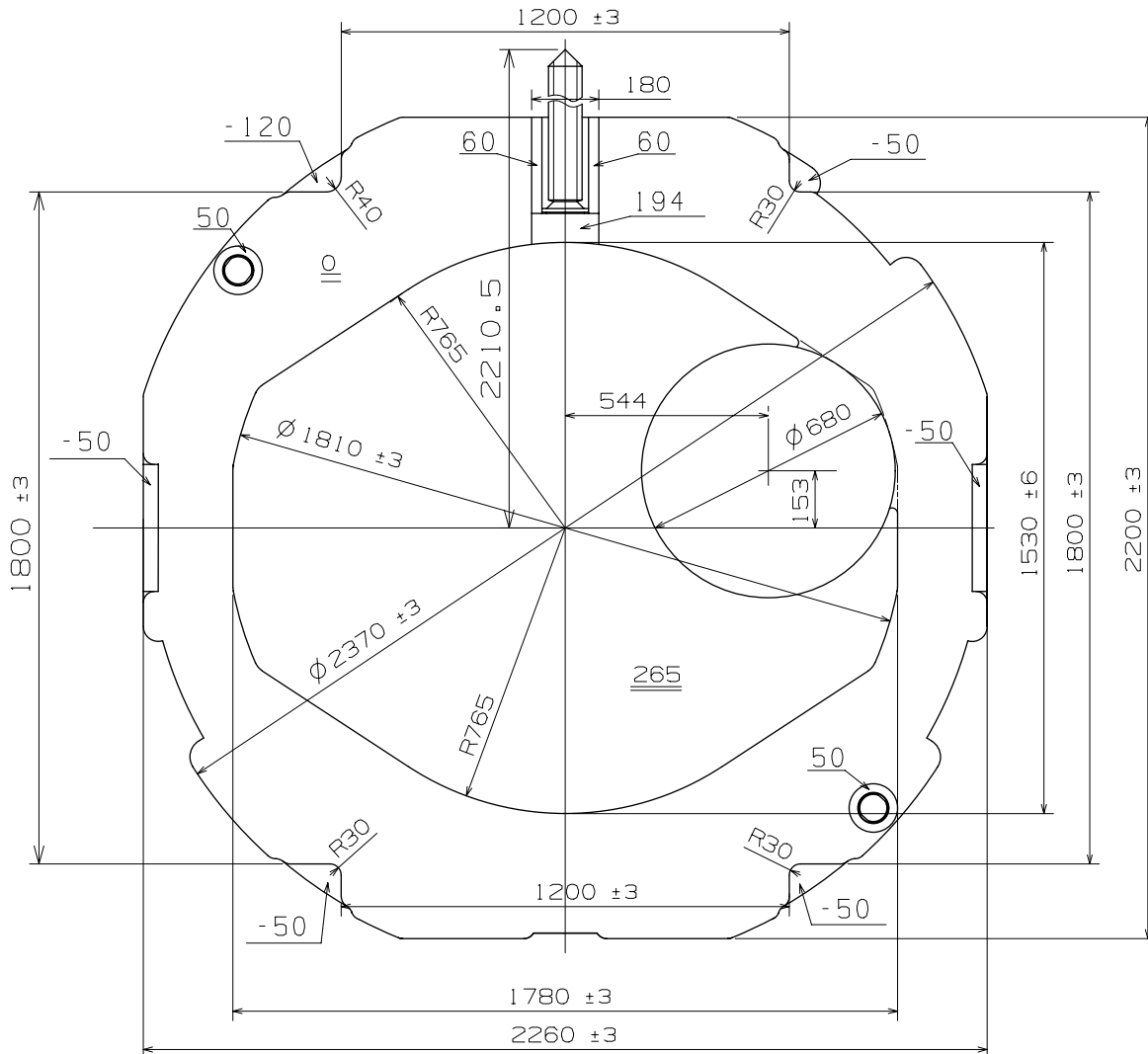
Version:5

Battery Side Holding spring Type

* First pull out stroke 56



| Center post 中心柱位 | | TYPE M 一般針高 |
|---|----|-------------|
| Maximum height from main plate surface. 與機芯平面之最大高度 | H1 | 185 |
| Total height incl. movement. 機芯總高度 | H2 | 600 |



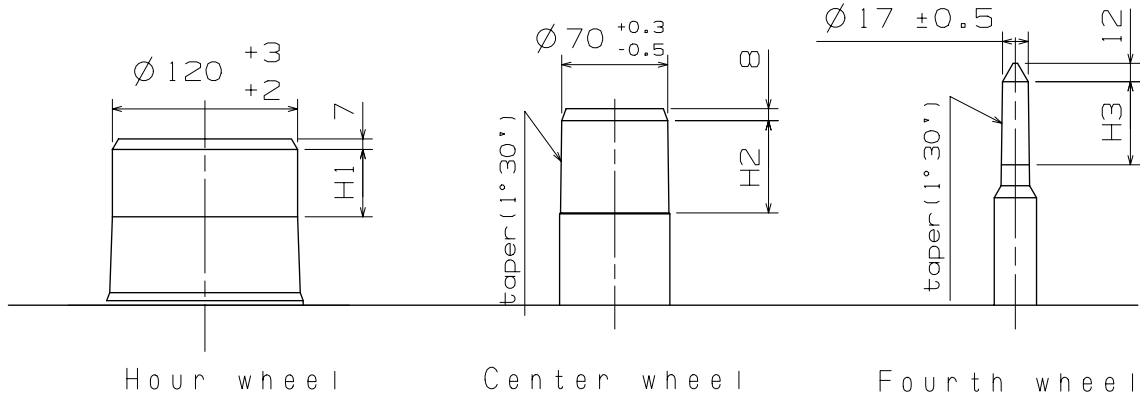
Scale : 5/1
Unit : 1=1/100mm

Version:5

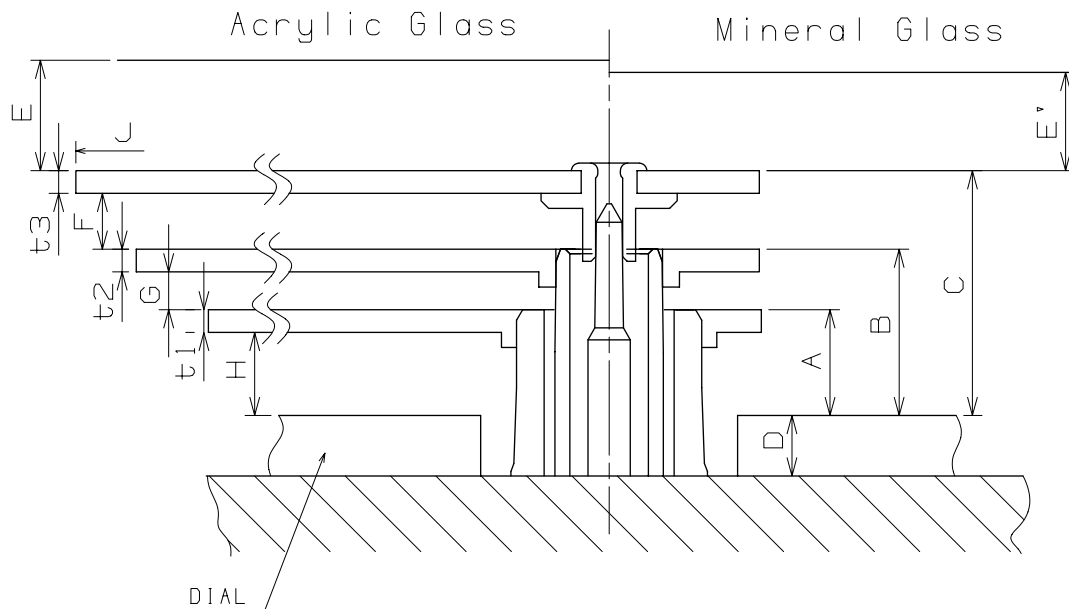
Hand Fitting

Cal. PC39A

Hour hand unbalance $\leq 0.3\mu\text{N}\cdot\text{m}$ (30mg·mm)
 Minute hand unbalance $\leq 0.3\mu\text{N}\cdot\text{m}$ (30mg·mm)
 Second hand unbalance $\leq 0.07\mu\text{N}\cdot\text{m}$ (7mg·mm)



| | Part. No. | | | Dimension | | |
|--------|------------|--------------|--------------|-----------|----|----|
| | Hour wheel | Center wheel | Fourth wheel | H1 | H2 | H3 |
| TYPE M | 0271 1940 | 0221 3220 | 0241 3100 | 43 | 61 | 55 |



| | A | B | C | D | E | E' | F | G | H | t1 | t2 | t3 |
|--------|----|-----|-----|----|---|----|----|----|----|----|----|----|
| TYPE M | 70 | 110 | 162 | 40 | * | * | 37 | 25 | 55 | 15 | 15 | 15 |

| * | J | | |
|----|---------|---------|--------|
| | Max 800 | 800~850 | 850~ |
| E' | Min 40 | Min 45 | Min 65 |
| E | Min 48 | Min 53 | Min 73 |

Scale : 25/1

Unit : 1=1/100mm

Version:4

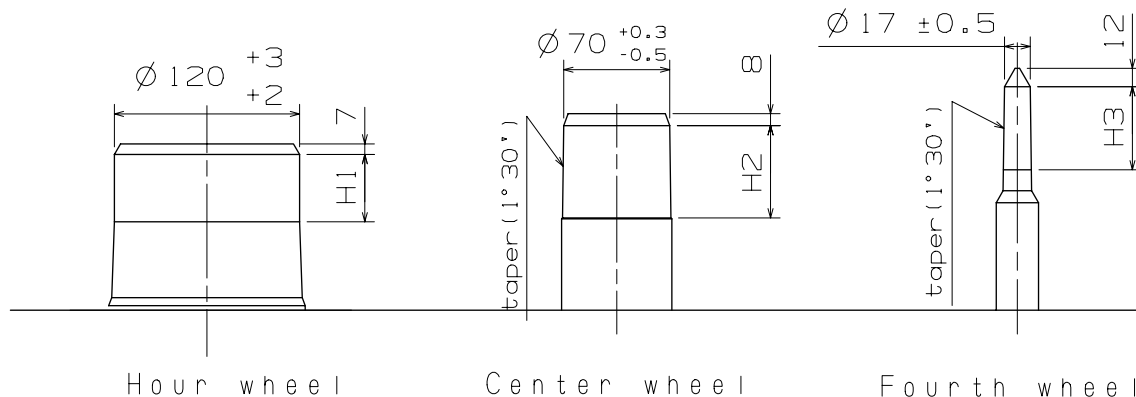
Hand Fitting

Cal. PC39A

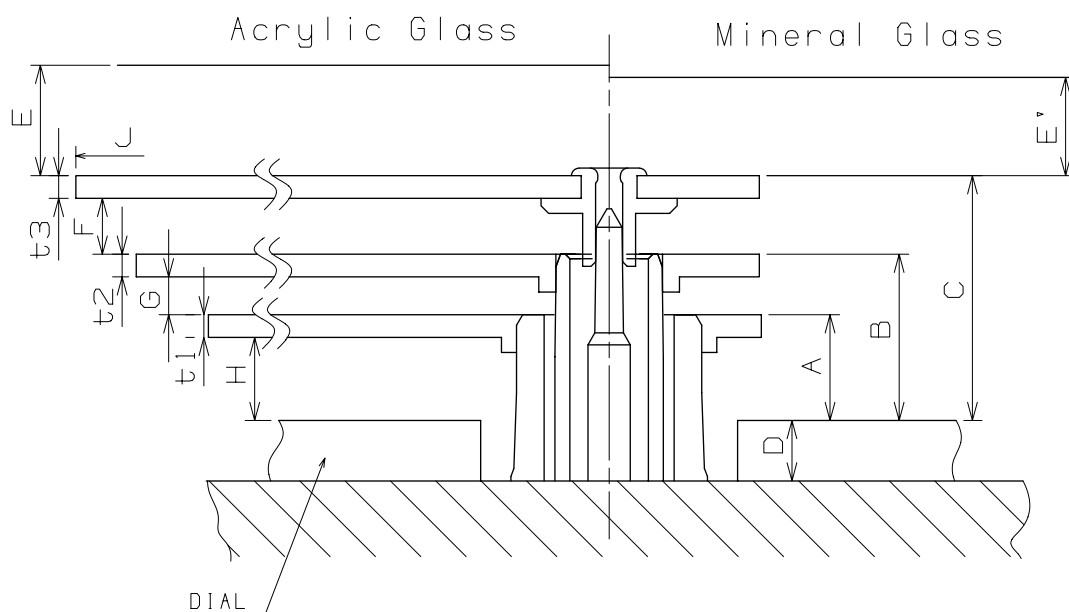
Hour hand unbalance $\leq 0.3\mu\text{N}\cdot\text{m}$ (30mg·mm)

Minute hand unbalance $\leq 0.3\mu\text{N}\cdot\text{m}$ (30mg·mm)

Second hand unbalance $\leq 0.07\mu\text{N}\cdot\text{m}$ (7mg·mm)



| | Part. No. | | | Dimension | | |
|-------------|----------------|------------------|------------------|-----------|----|----|
| | Hour wheel 時針輪 | Center wheel 分針輪 | Fourth wheel 秒針輪 | H1 | H2 | H3 |
| TYPE M 一般針高 | 0271 1940 | 0221 3220 | 0241 3100 | 43 | 61 | 55 |



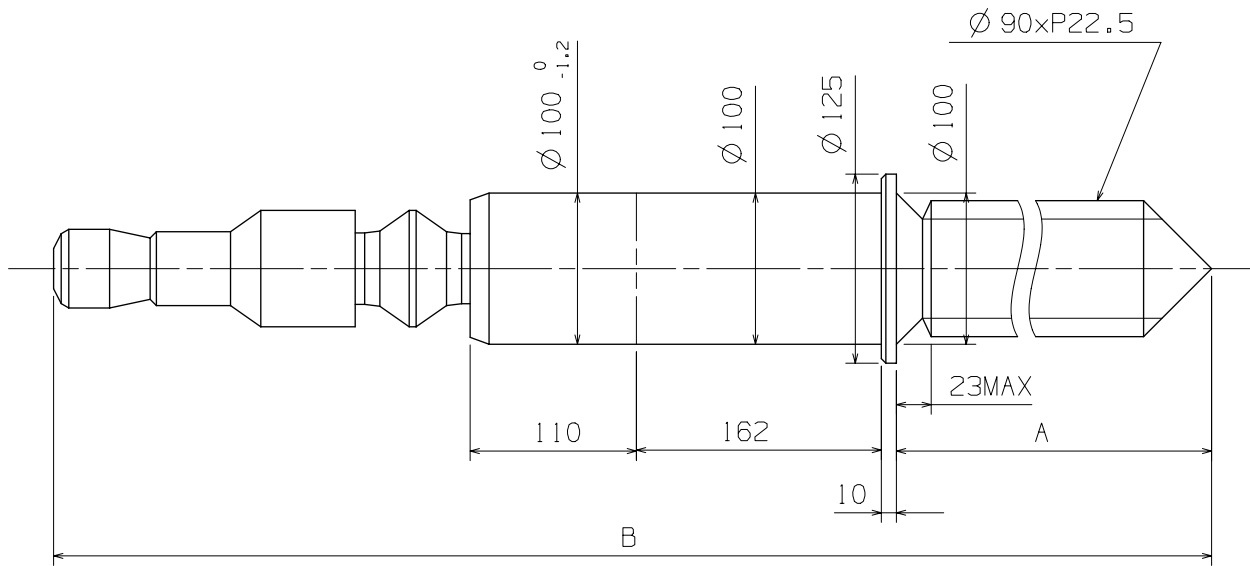
| | A | B | C | D | E | E' | F | G | H | t1 | t2 | t3 |
|-------------|----|-----|-----|----|---|----|----|----|----|----|----|----|
| TYPE M 一般針高 | 70 | 110 | 162 | 40 | * | * | 37 | 25 | 55 | 15 | 15 | 15 |

| * | J | | |
|----|---------|---------|--------|
| | Max 800 | 800~850 | 850~ |
| E' | Min 40 | Min 45 | Min 65 |
| E | Min 48 | Min 53 | Min 73 |

Scale : 25/1

Unit : 1=1/100mm

Version:4

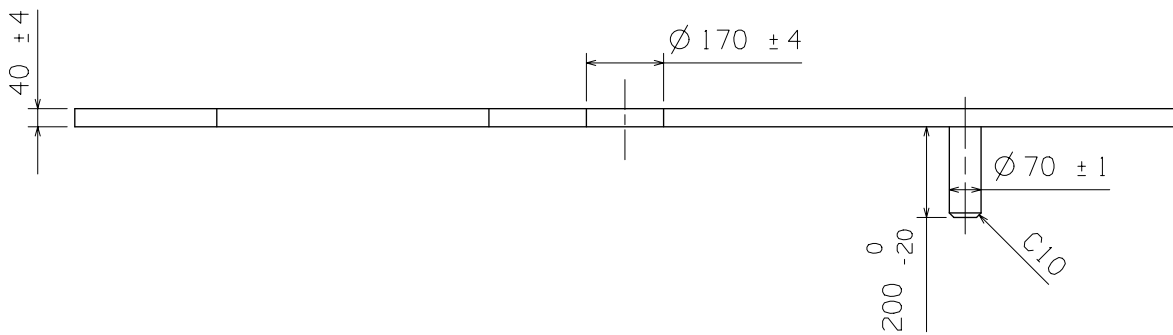
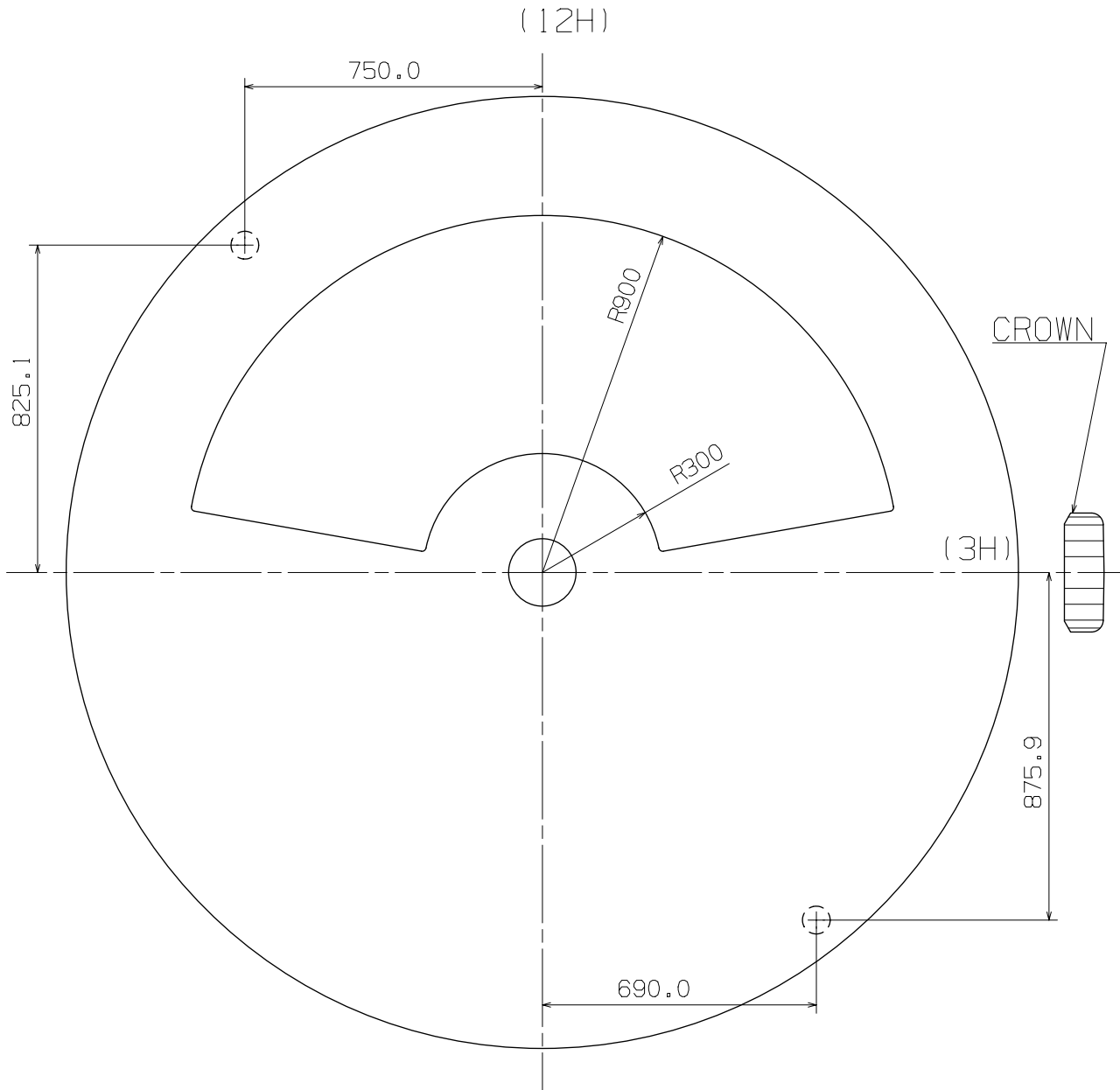


| | Part.No. | A | B |
|--------|-----------|------|--------|
| TYPE A | 0354 1940 | 1355 | 1912.5 |

Do not lubricate the hand setting stem.

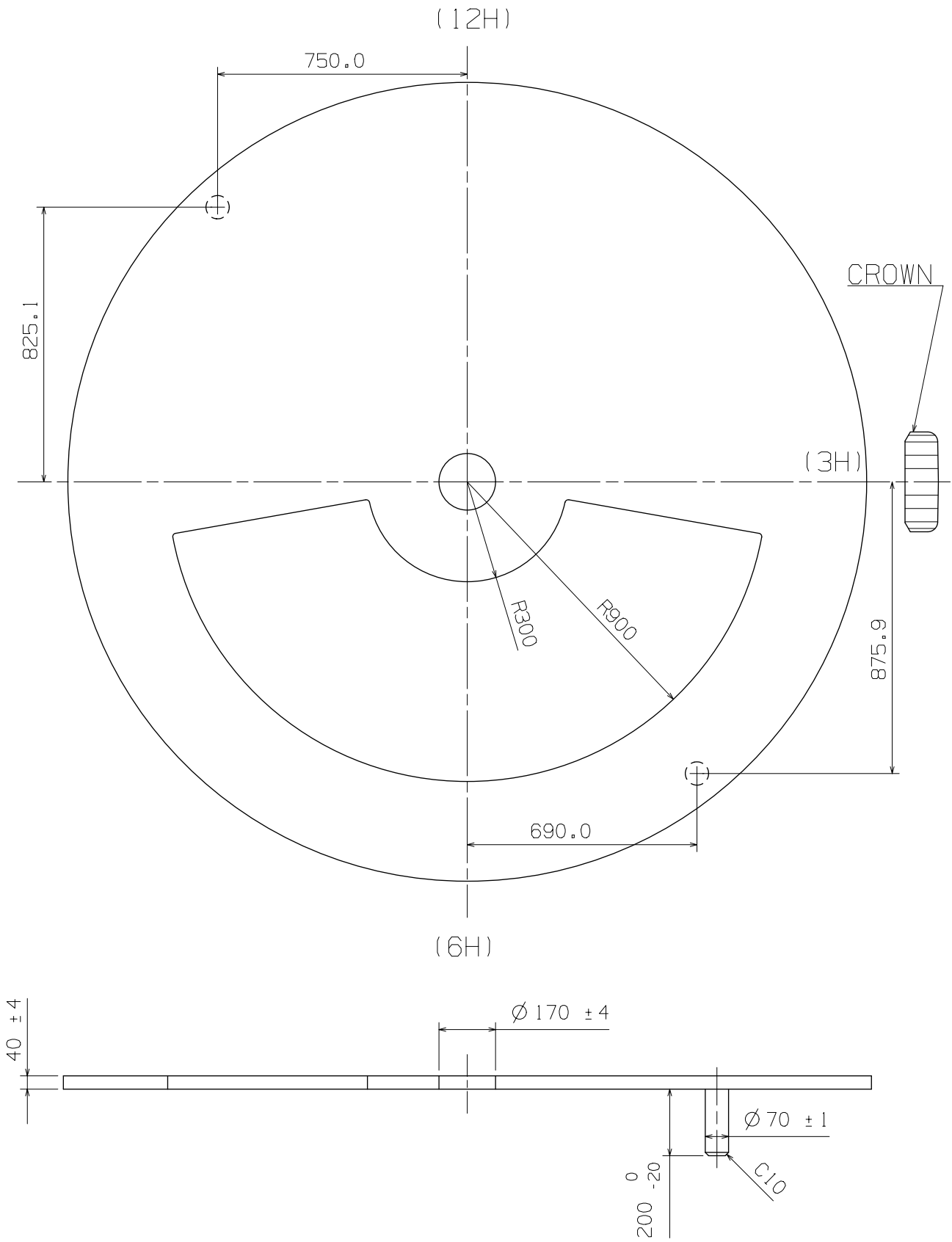
Scale : 20/1
Unit : 1=1/100mm

Version:5



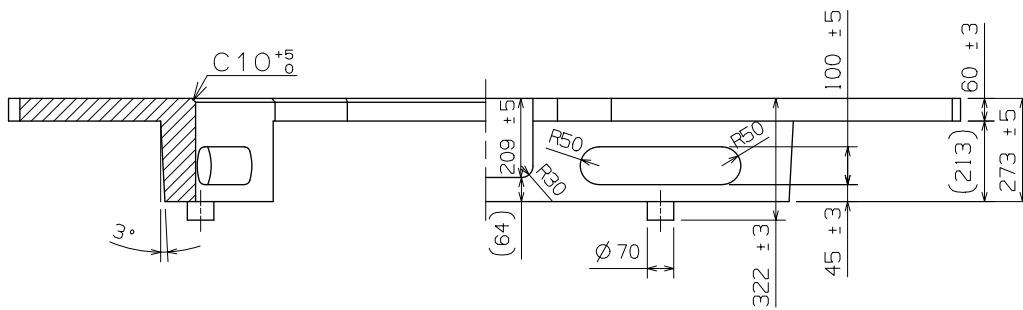
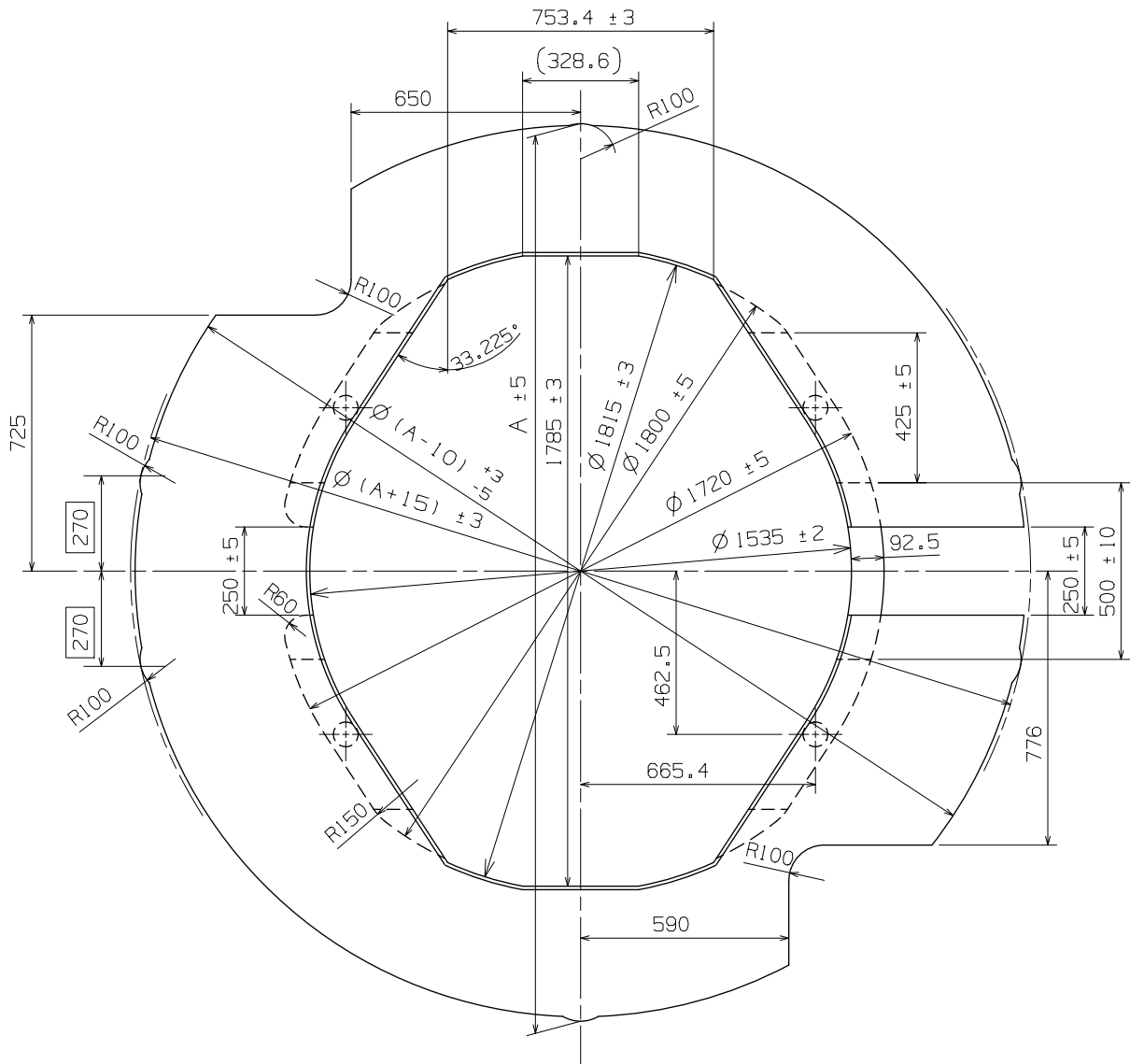
Scale : ≠
Unit : 1=1/100mm

Version:3



Scale : ≠
Unit : 1=1/100mm

Version:3

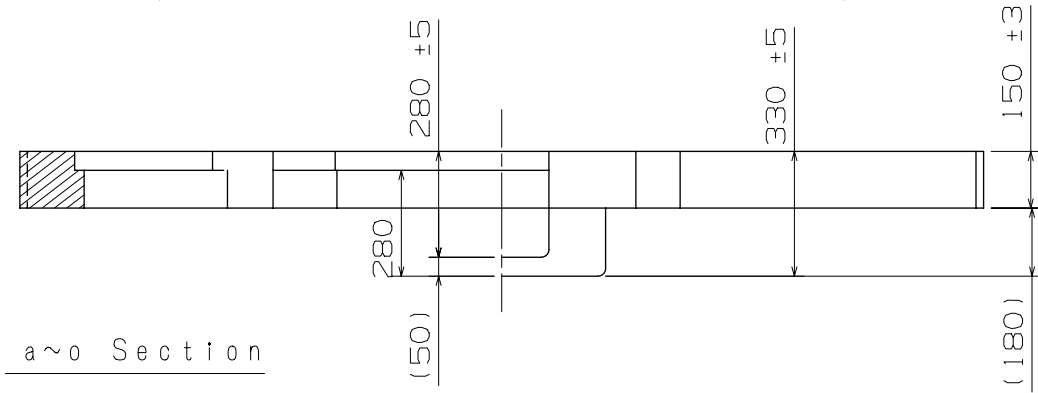
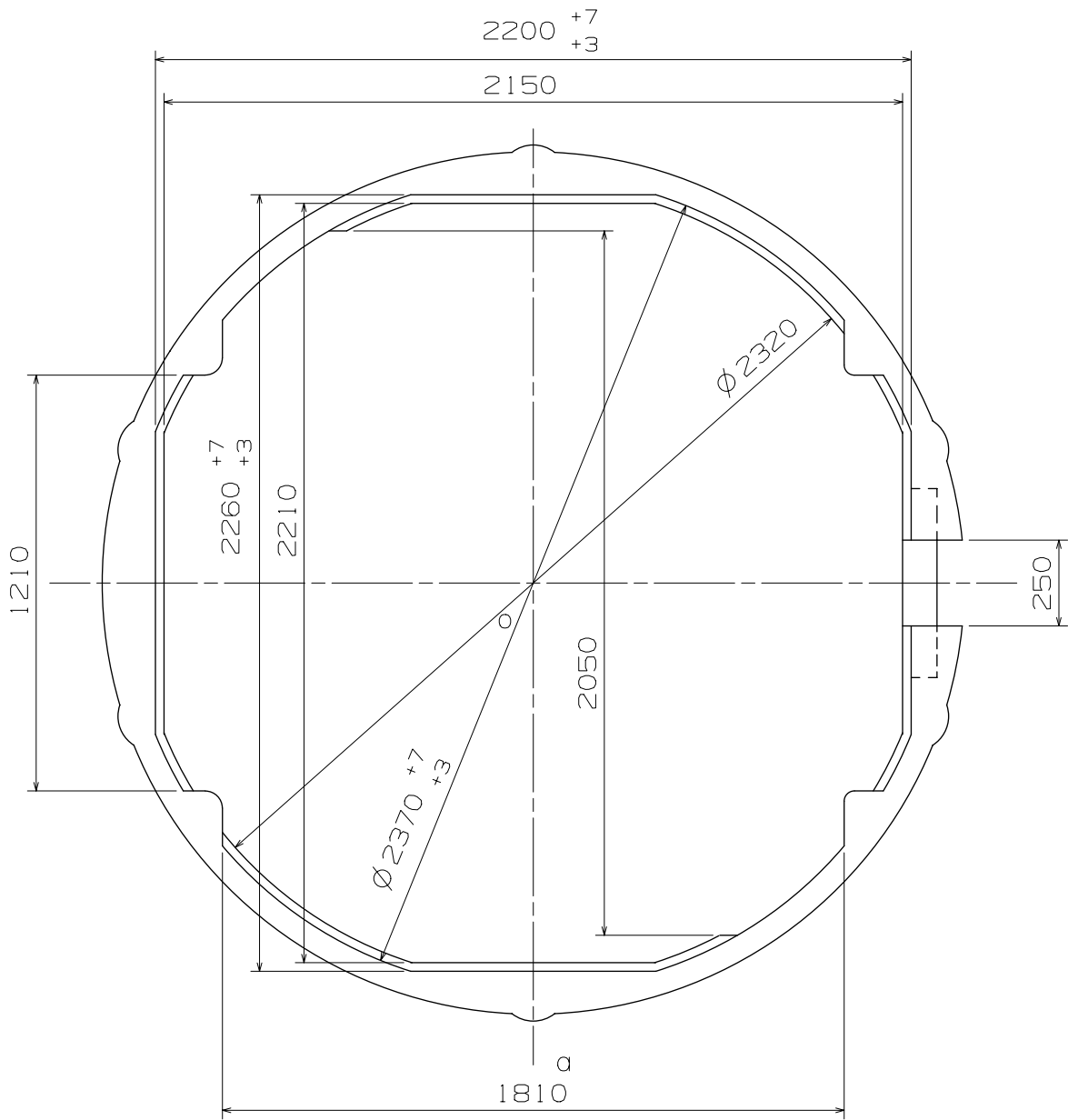


Scale : 5/1
Unit : 1=1/100mm

Version:4

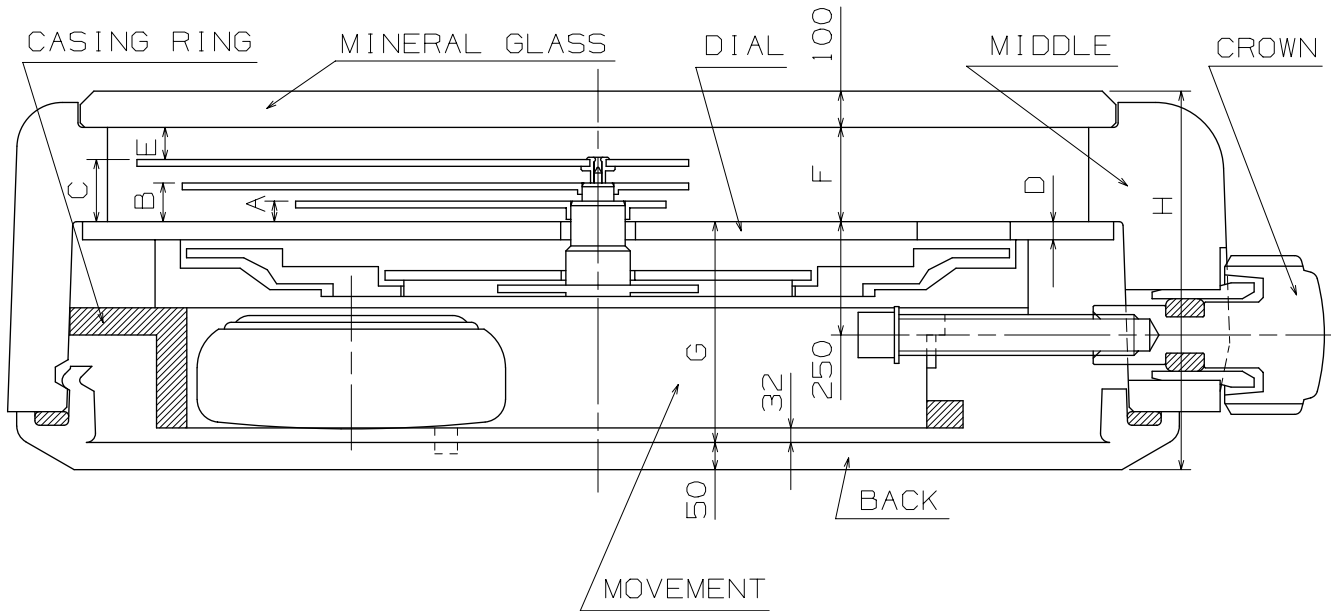
Casing Ring-2

Cal. PC39A



Scale : 5/1
Unit : 1=1/100mm

Version:4



| | A | B | C | D | E | F | G | H |
|--------|----|-----|-----|----|----|-----|-----|-----|
| TYPE M | 70 | 110 | 162 | 40 | 65 | 227 | 487 | 864 |

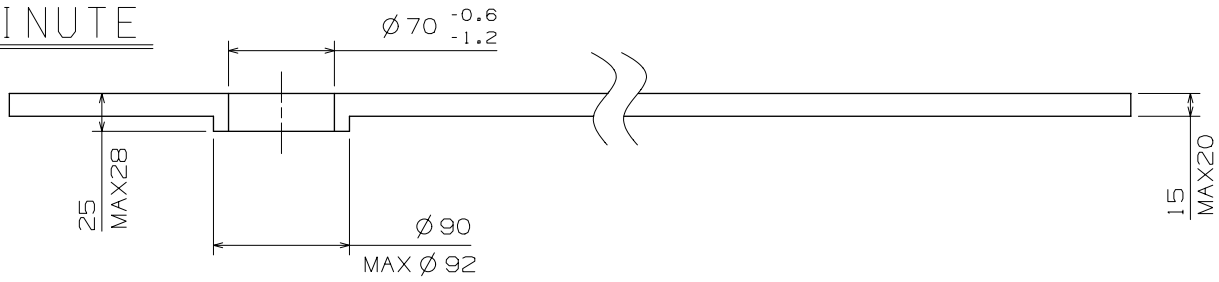
Scale : -
Unit : 1=1/100mm

Version:4

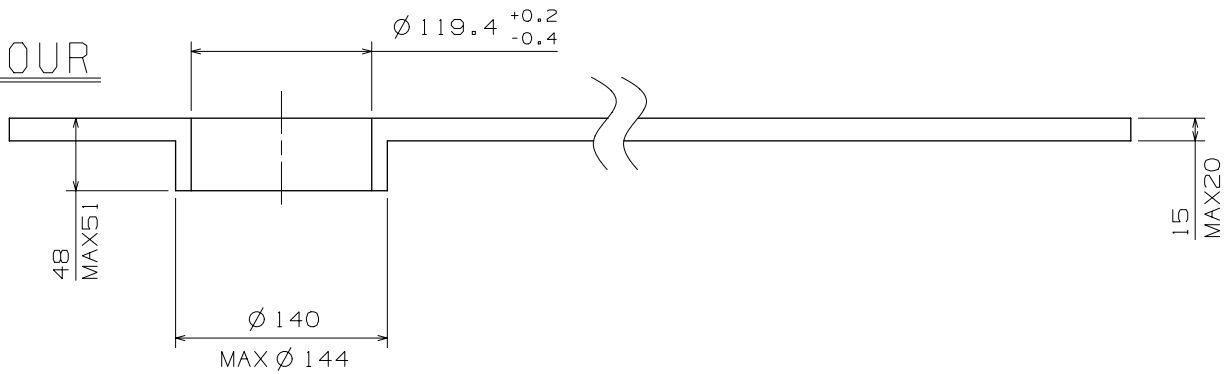
SECOND



MINUTE



HOUR



Scale : 20/1

Unit : 1=1/100mm

Version:4